

- Professional makes classics
- Development production marketing integration
- SAW & PCAP & IR touch screen
- 3 years warranty

## 12.1 " Touch Monitor

TSD touch monitor are the most economic touch solutions which designed and developed for OEM and system intergration and widely used in retail ,self- service, gaming and entertainment applications.

Established in 2006,TSD technology is a leading touch solution provider in kunshan , China. Products include PCAP and SAW touch screen,open frame touch monitor,desktop touch monitor and All-in-one touch computer.We concentrate on designing and manufacturing reliable, durable and cost competitive products.

As an outstanding china touchscreen provider,we have experienced electronic engineers and technical experts of the industry who are determined to lead the touch screen industry into a new era of information technology.

We have been granted ISO9001,CE, FCC,Rohs etc.certifications.

### Product Brief

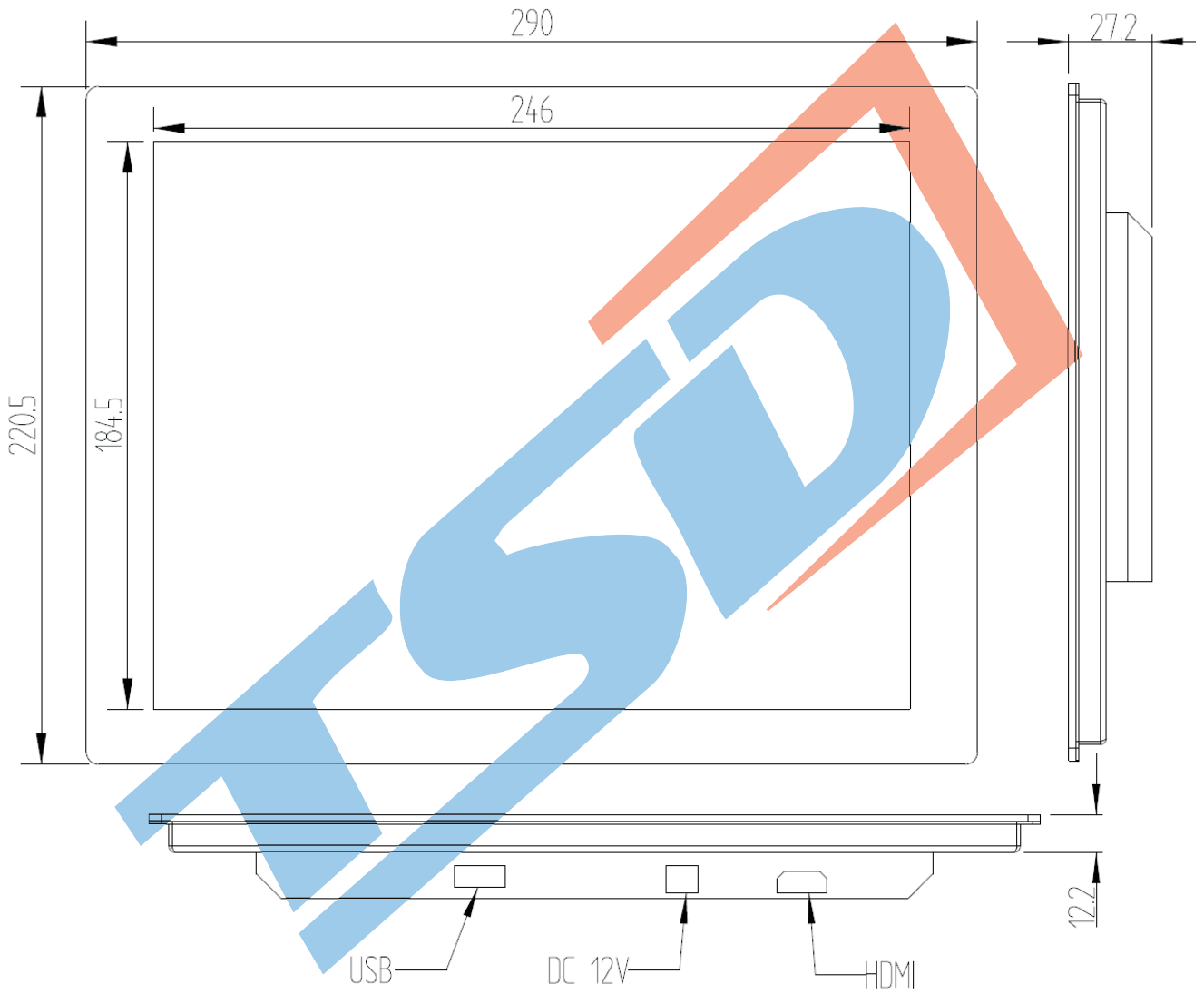
#### Key structure

Support multi touch function  
A finger or touch pen  
USB touch interface, plug and play  
VGA display interface  
Toughened glass capacitive screen  
4:3 display screen  
Free optional accessories

#### Application

Finance  
Gaming  
Transportation  
Advertisement  
Trade  
Post and telecommunications  
Tax revenue  
Insurance

Version:A0



## Technical parameters

### Display specification

Model	OTL121
Display size	4 : 3
Active area	245.7 (W)mm * 184.3 (H) mm
Native resolution	1024*768@60Hz
Pixel pitch	0.24(mm) * 0.24 (mm)
Colors	16.7M
Brightness(typical)	LED panel: 500 nits
	Display: 430 nits
Contrast ratio(typical)	700:1
Response time(typical)	16 ms
Viewing angle(typical)	R/L:80/80° (typ) U/D:70/70° (typ)
Input interface	HDMI
OSD	Contrast, Brightness, Horizontal vertical image size and position, Color temperature, The language selection, RESET, Exit OSD.

### Touch Specifications

Touch screen	12.1 " PCAP
Touch point	10 points
Touch accuracy	2mm
Minimum touch body	Ø7mm
Touch activation force	10g
Touch response time	10ms (typ)
IC	ILITeK
Material	1.1mm strengthen glass
Surface durability	Mohs' 7H
Light transmission	86%
Touch resolution	4096*4096
Input method	Finger, Touch pen
Expected life performance	35,000,000 times

## Technical parameters

### Other Specifications

Power supply	DC: +12VDC ±5% (Adapter input:AC 100V-240V)		
IP(touch screen with frame)	IP 65		
MTBF	50,000h		
Dimensions	Product: 290.0mm*27.2mm*220.0mm		
	Package: 362.0mm*132.5mm*322.0mm		
Weight	Product: 2.5kg		
	Package: 3.5kg		
Temperature	Operating: 0° C ~ 40°C		
	Storage: -20° C ~ 60°C		
Humidity	Operationg: 20%~80%		
	Storage: 10%~90%		
Accessories(standard)	Signal Cables	Connector	USBA-USBB
		Length	1.8 m ± 30mm
		Color	Gray white
	VGA Cord	Type	D-SUB 15Pin
		Length	1.8 m ± 30mm
		Color	Black
	Power Cord	Type	American three plug 18/3C +SJT 105 degrees C
		Length	1.8 m ± 30mm
		Color	Black
Accessories(optional)	DVI Cord	Connector	Double header 24+1
		Length	1.8 m ± 30mm
		Color	Black
	HDMI Cord	Type	HDMI1.3 Type A-Type A
		Length	1.8 m ± 30mm
		Color	Black
	Audio Cord	Type	1-1,A-A 1.5m
		Length	3.5 m ± 30mm
		Color	Black