



# Specification

## 15.6 " Touch Monitor



Model	DTL156
P/N	
Version	A2

# Record Of Revisions

Model:DTL156

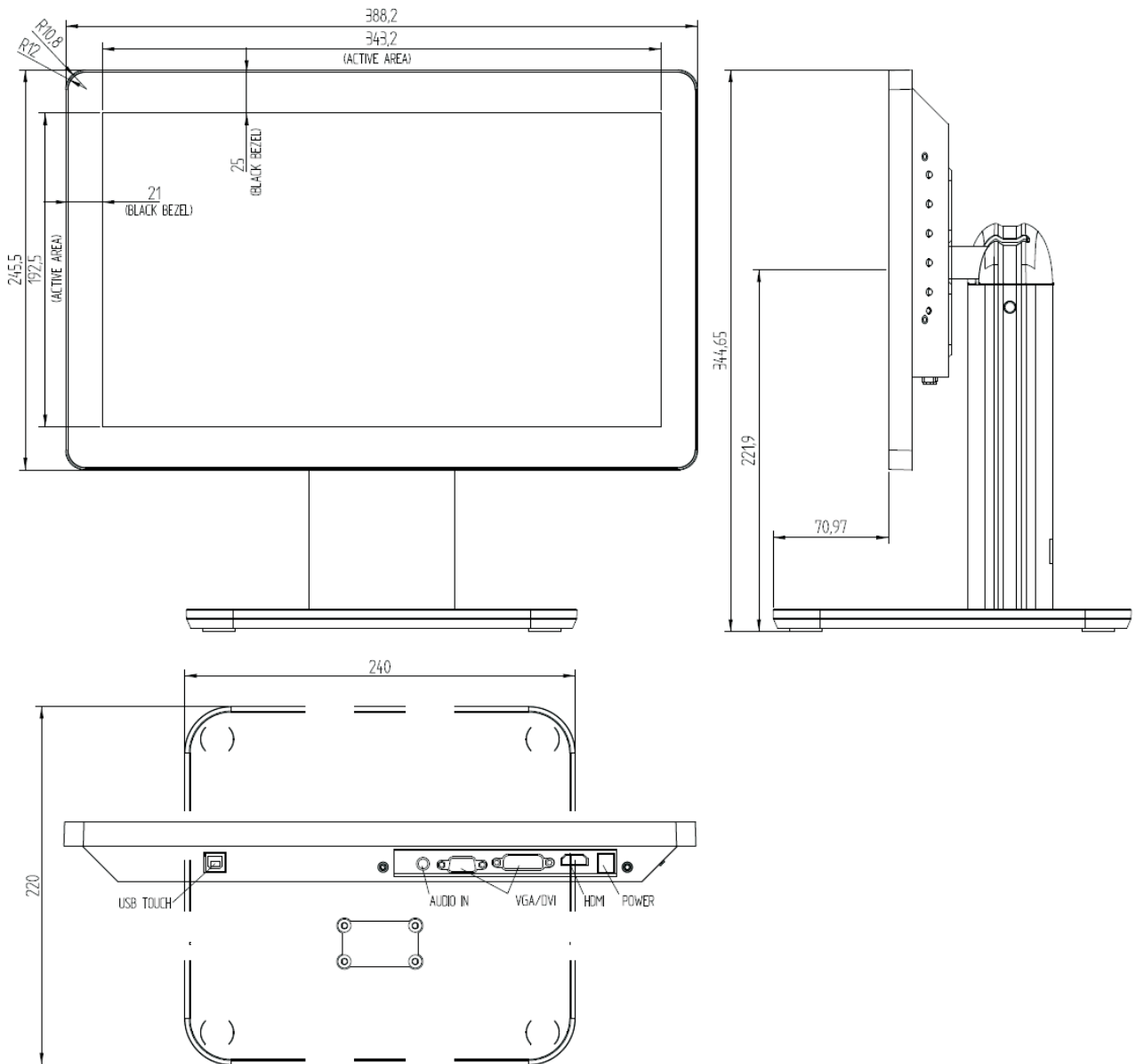
Version and Date	Page	Old Description	New Description	Remark
A0 2016/01/19	ALL	First Edition For Customer		
A1 2016/04/25	3, 4,6		Update the drawing & Specifications	
A2 2017/09/06	-3-		Update the drawing	



TSD desktop touch display are the most economic touch solutions which designed and developed for OEM and system integration, and widely used in retail, self-service, gaming and entertainment applications.

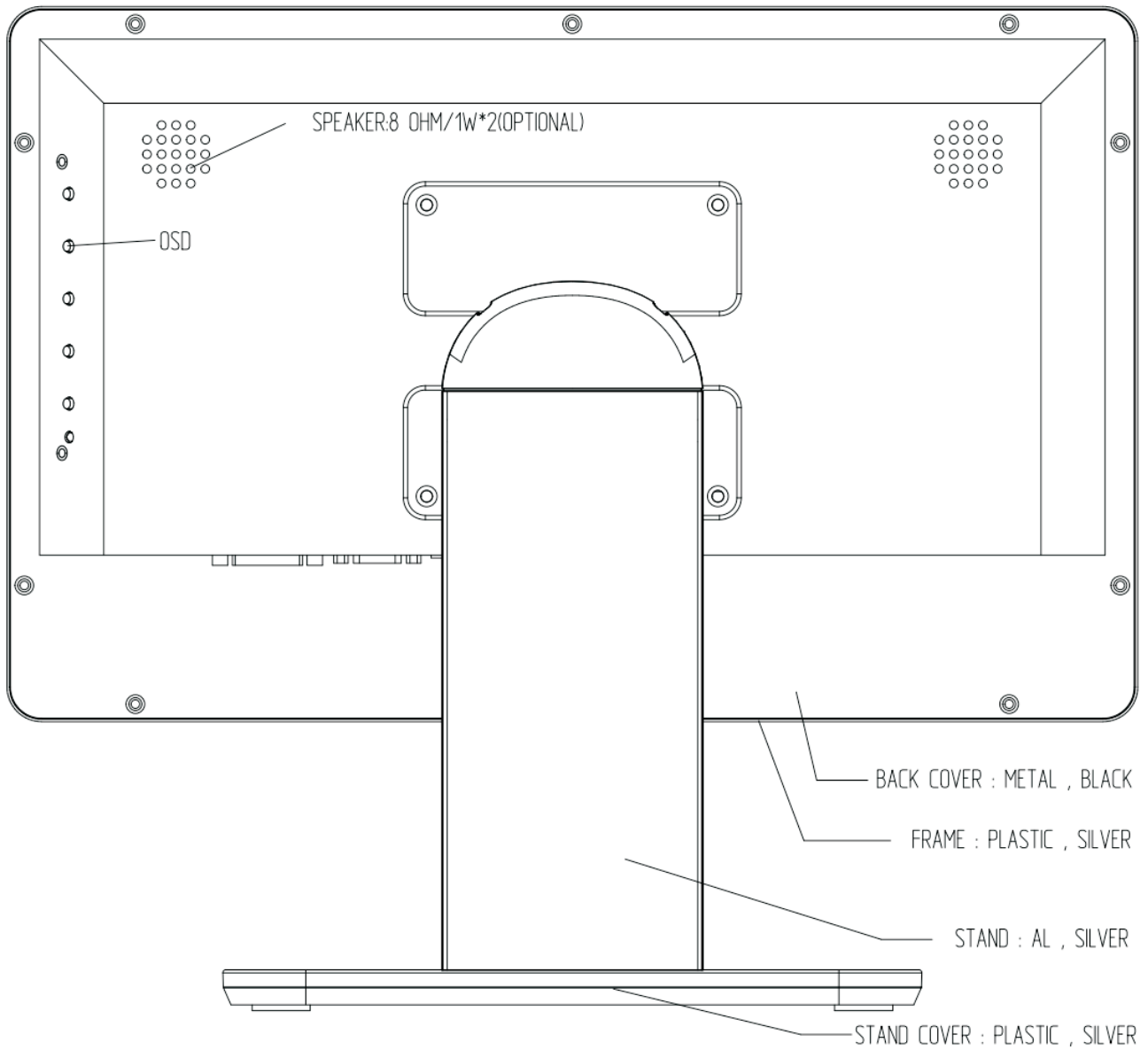
# Product Drawing

## Profile & Side view

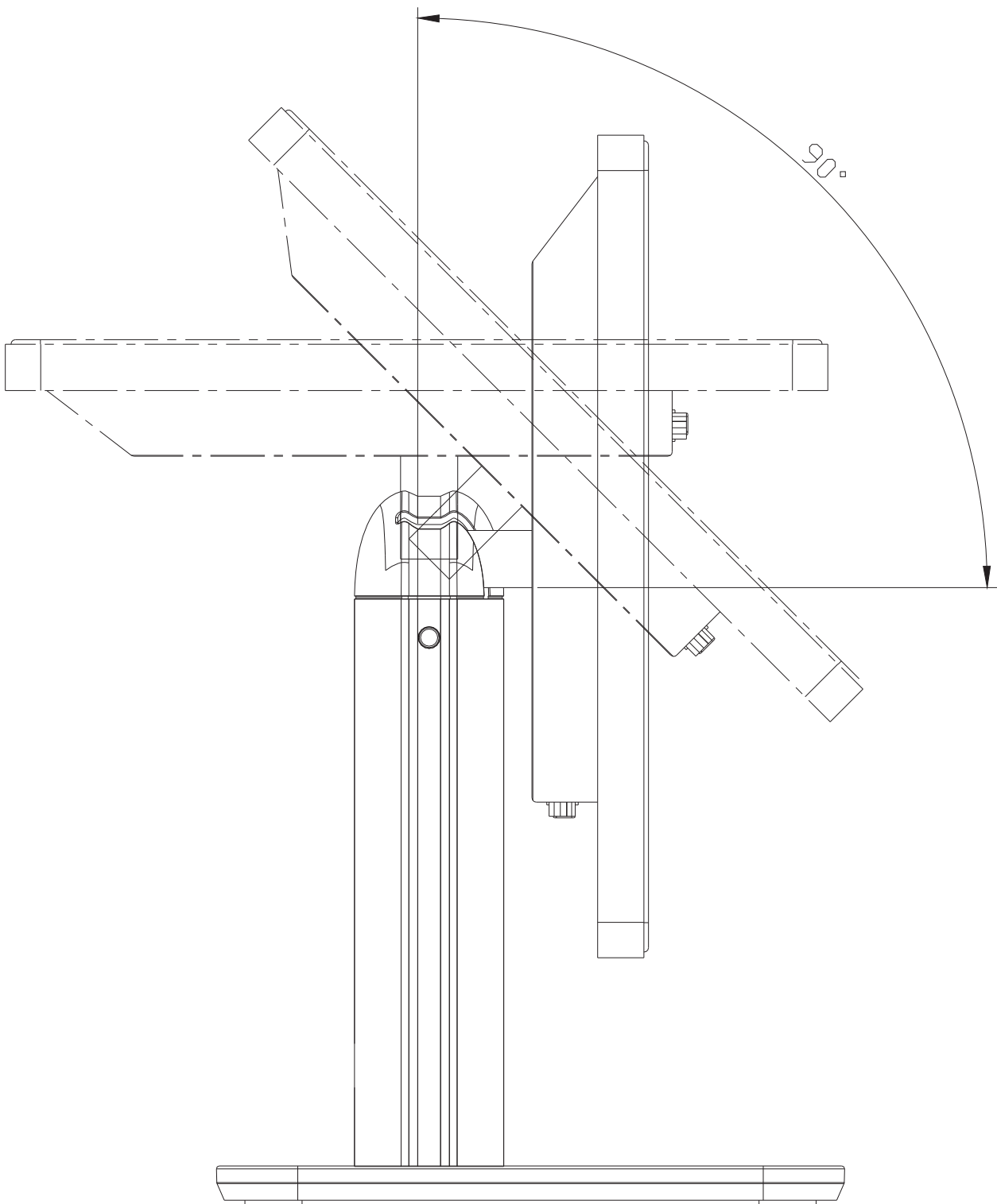


# Product Drawing

Rear view



Rotation angle



# Technical parameters

Item	Specifications							
Model	DTL156							
Display size	15.6" 16:9							
Active area	344.16 (W) * 193.59 (H) mm							
Pixel pitch	0.17925(mm) * 0.17925 (mm)							
Native resolution	1920*1080@60Hz							
Colors	262K(6 bits)							
Brightness(typical)	LED panel: 220 (cd/m <sup>2</sup> )							
	Display: 189 (cd/m <sup>2</sup> )(With PCAP Touchscreen)							
Contrast ratio(typical)	800:1							
Response time(typical)	30 ms							
Viewing angle(typical)	R/L:85/85° U/D:85/85°							
Input interface	VGA ,DVI, HDMI							
Resolution supported	No	Format	(KHz)	Polarity	(Hz)	Polarity	(MHz)	Remark
	1	800 x 600	37.88	+	60.32	+	40.000	VESA
	2	1024 x 768	48.36	-	60.00	-	65.000	VESA
	3	1280 x 1024	64.00	+	60.00	+	108.00	VESA
	4	1920x1080	67.50	+	60.00	+	148.50	VESA
OSD	Contrast, Brightness, Horizontal vertical image size and position, Color temperature, The language selection, RESET, Exit OSD.							
Privacy filter (optional)	30°(L/R)							
Item	Touch Specifications							
Touch screen	15.6 " PCAP							
Touch point	10 points							
Touch accuracy	2mm							
Minimum touch body	Ø7mm							
Touch activation force	10g							
Touch response time	10ms (typ)							
IC	ILITeK							
Material	2mm strengthen glass							
Surface durability	Mohs' 7H							
Light transmission	86%							
Touch resolution	4096*4096							
Input method	Finger、 Touch pen							
Expected life performance	35,000,000 times							

# Technical parameters

Item	Other Specifications		
Power supply	DC: +12V ±5% (Adapter input:AC 100V-240V)		
Power consumption	Max: 10W		
	Standby: < 0.5 W		
IP(touch screen with frame)	IP 65		
MTBF	50,000h		
Dimensions	Product: 344.65mm*388.2mm*220.0mm		
	Package: 434.0mm*499.0mm*279.0mm		
Weight	Product: 5.5kg		
	Package: 6.5kg		
Temperature	Operating: 0° C ~ 40° C		
	Storage: -20° C ~ 60° C		
Humidity	Operating: 20%~80%		
	Storage: 10%~90%		
Accessories	Signal Cables	Connector	D-SUB 15Pin
		Length	1.8 m ± 30mm
		Color	Blue
	Power Cord	Type	Comply with local safety regulations
		Length	1.8 m ± 30mm
		Color	Black
	Adapter	Type	M120300P911(12V 3A)
		Color	Black

Note: Panel and specifications subject to change without notice.