

- Professional makes classics
- Development production marketing integration
- SAW & PCAP & IR touch screen
- 3 years warranty



18.5" Touch Monitor

TSD touch monitor are the most economic touch solutions which designed and developed for OEM and system intergration and widely used in retail ,self- service, gaming and entertainment applications.

Established in 2006,TSD technology is a leading touch solution provider in kunshan , China. Products include PCAP and SAW touch screen,open frame touch monitor,desktop touch monitor and All-in-one touch computer.We concentrate on designing and manufacturing reliable, durable and cost competitive products.

As an outstanding china touchscreen provider,we have experienced electronic engineers and technical experts of the industry who are determined to lead the touch screen industry into a new era of information technology.

We have been granted ISO9001,CE, FCC,Rohs etc.certifications.

Product Brief

key technology

Waterproof function: Excellent waterproof performance reach IP65 rate.Add waterproof and dust proof strip between capacitive screen's and aluminum frame. This strip is made of EVA and double-sided tape without substrate material.

Highly transparent EVA material has good capability of withstand low temperature and water resistance and no effect on appearance

Double-sided tape without substrate has perfect waterproof performance which can adhere object well and prevent the drop.

Good dimensional stability, can be applied to a wider temperature range and harsh surroundings.

Architectoral design:True flat screen frame made of SPCC material.Through high temperature dusting, the black powder even cover the aluminum frame surface.Toughened and frame printed in black capacitive screen who connecting with the black aluminum frame fully.The capacitive screen with pure black edge embedded into the black appearance frame seamless,showing a pure black effect.

Key structure

Support multi touch function

A finger or touch pen

USB touch interface, plug and play

VGA/DVI/HDMI display interface

Toughened glass capacitive screen

4:3 display screen

Free optional accessories

Application

Finance

Gaming

Transportation

Advertisement

Trade

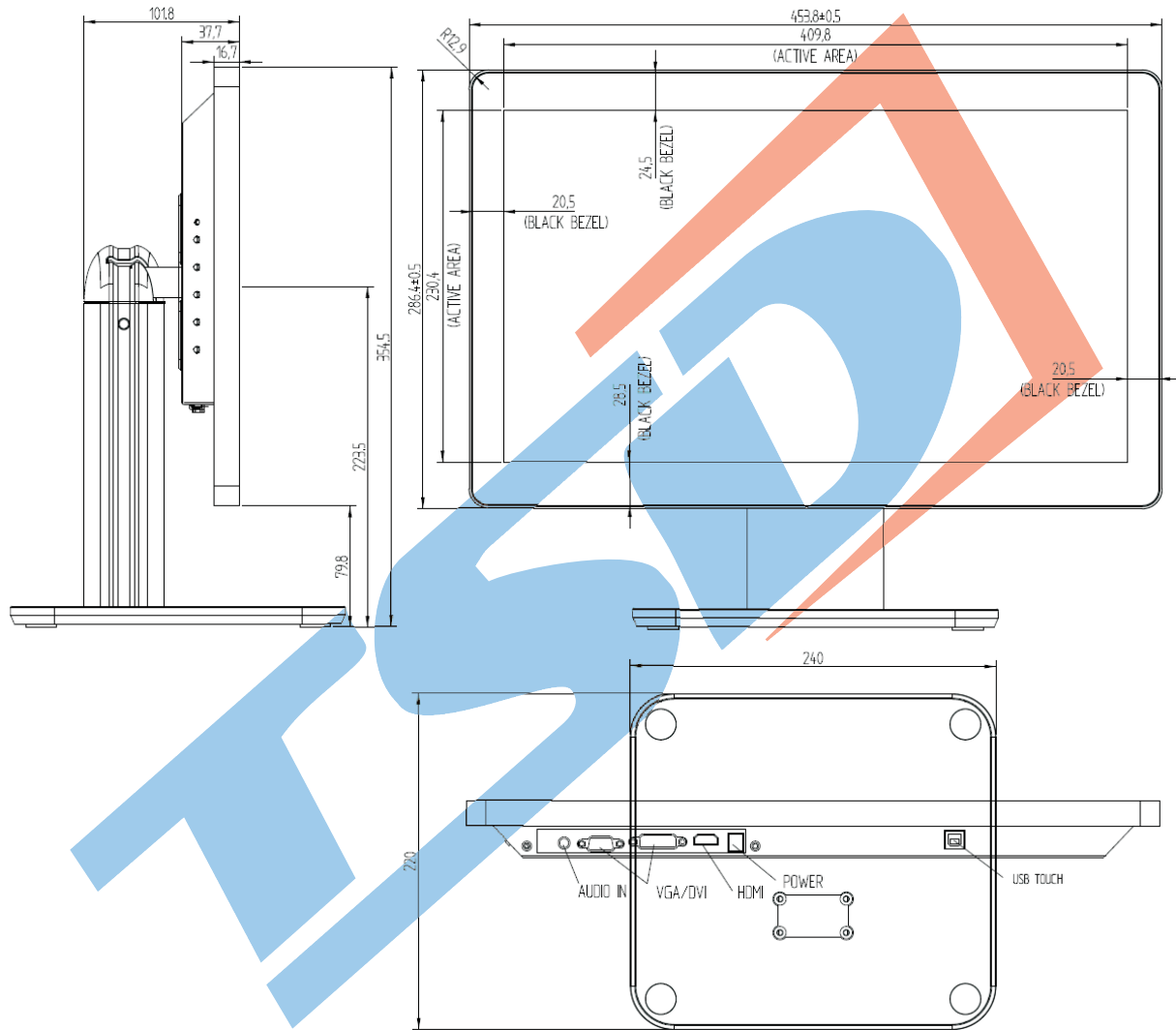
Post and telecommunications

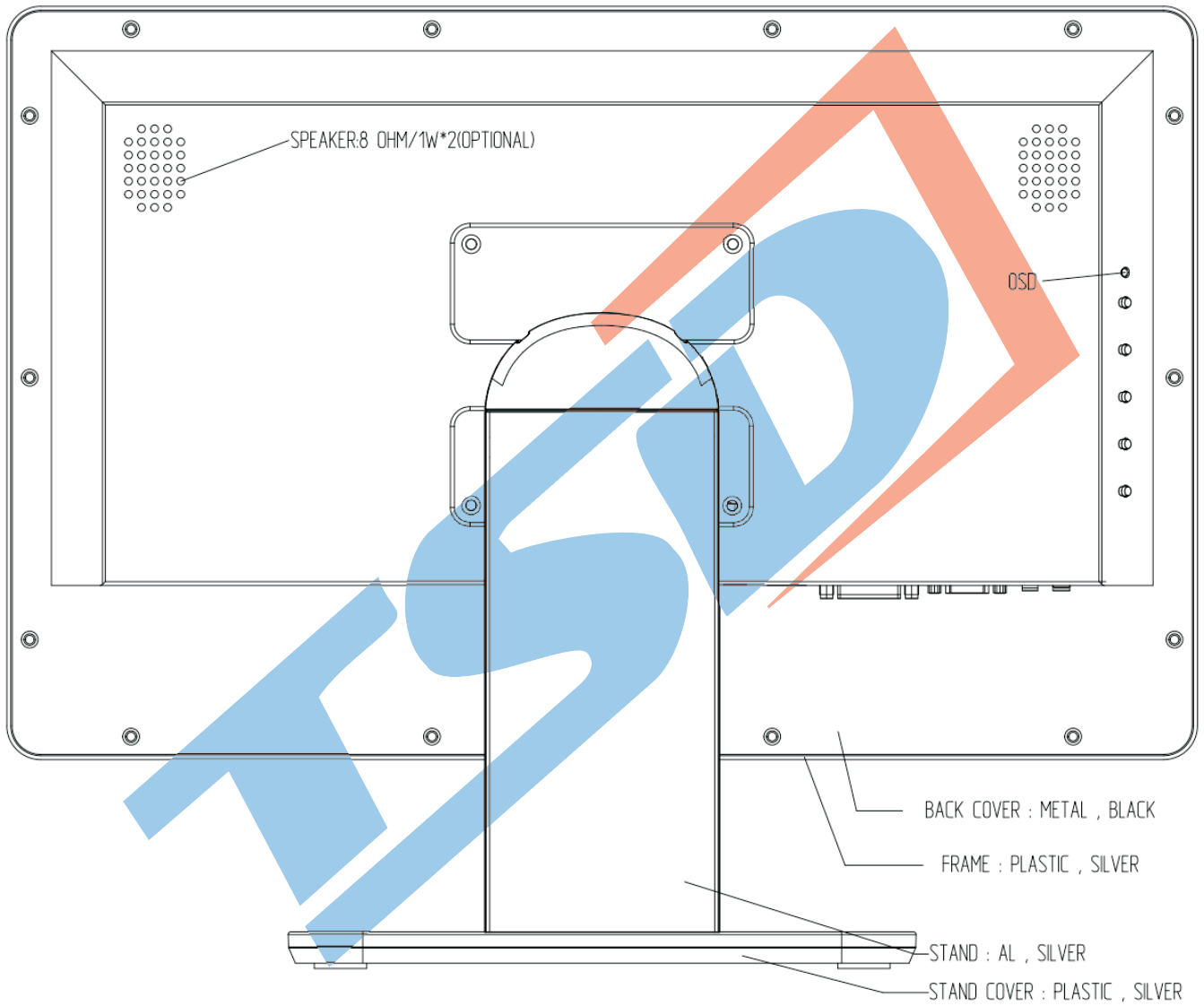
Tax revenue

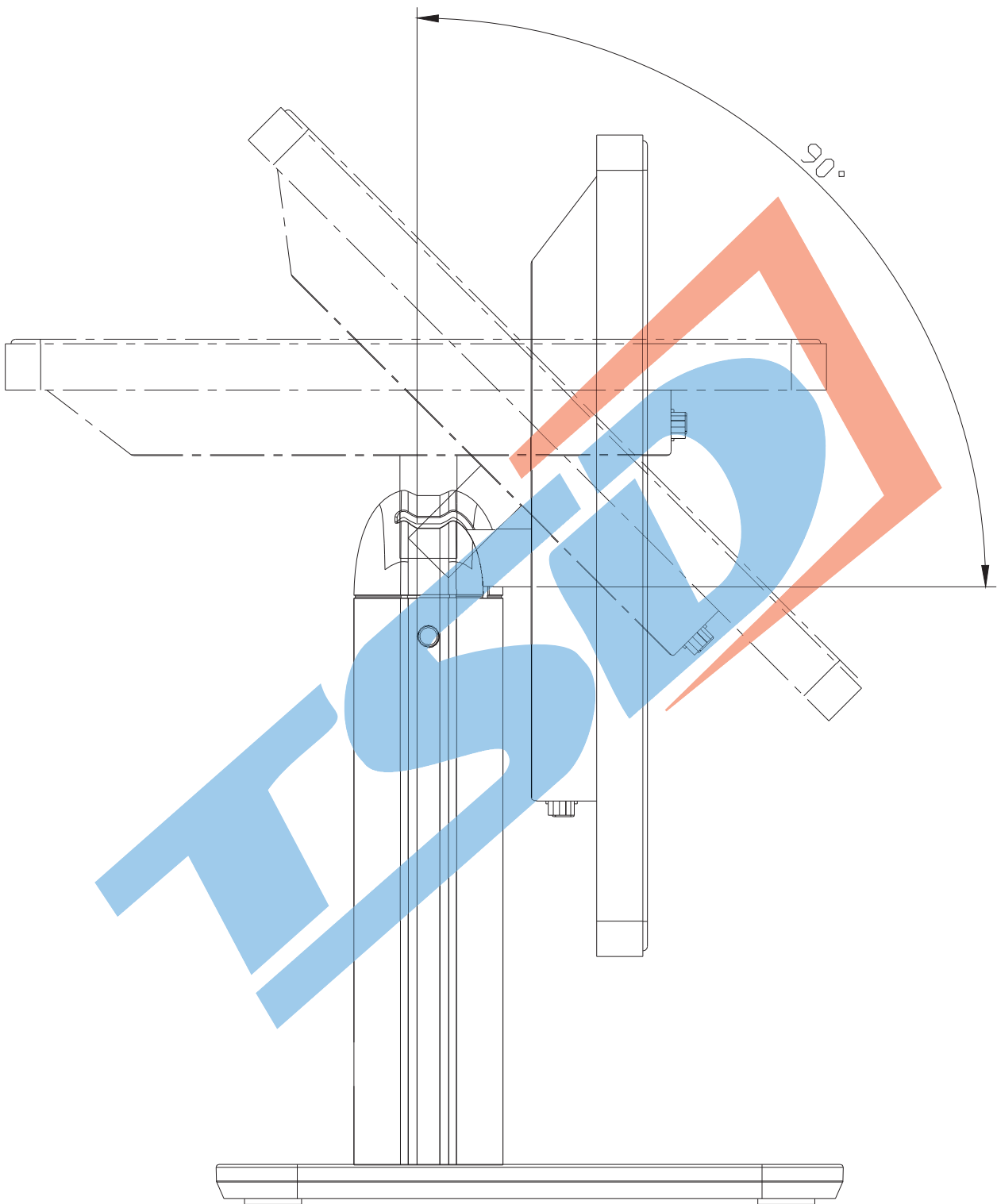
Insurance

Version:A1

Product Drawing







Technical parameters

Display specification

Model	DTL185
Display size	16 : 9
Active area	409.8 (W)mm x 230.4 (H) mm
Native resolution	1366x 768@60Hz
Pixel pitch	0.30(mm) x 0.30(mm)
Colors	16.7M
Brightness(typical)	LED panel: 250 (cd/m ²)
	Display: 215 nits
Contrast ratio(typical)	1000:1
Response time(typical)	5 ms
Viewing angle(typical)	R/L:85/85° (typ) U/D:80/80° (typ)
Input interface	VGA, DVI
OSD	Contrast, Brightness, Horizontal vertical image size and position, Color temperature, The language selection, RESET, Exit OSD.

Touch Specifications

Touch screen	18.5 " PCAP
Touch point	10 points
Touch accuracy	2mm
Minimum touch body	Ø7mm
Touch activation force	10g
Touch response time	10ms (typ)
IC	ILITeK
Material	2 mm strengthen glass
Surface durability	Mohs' 7H
Light transmission	86%
Touch resolution	4096*4096
Input method	Finger, Touch pen
Expected life performance	35,000,000 times

Technical parameters

Other Specifications

Power supply	DC: +12VDC \pm 5% (Adapter input:AC 100V-240V)		
IP(touch screen with frame)	IP 65		
MTBF	50,000h		
Dimensions	Product: 354.5mm*453.8mm*220.0mm		
	Package: 434.0mm*499.0mm*279.0mm		
Weight	Product: 6.5kg		
	Package: 7.5kg		
Temperature	Operating: 0° C ~ 40°C		
	Storage: -20° C ~ 60°C		
Humidity	Operationg: 20%~80%		
	Storage: 10%~90%		
Accessories(standard)	Signal Cables	Connector	USBA-USBB
		Length	1.8 m \pm 30mm
		Color	Gray white
	VGA Cable	Type	D-SUB 15Pin
		Length	1.8 m \pm 30mm
		Color	Black
	Power Cord	Type	American three plug 18/3C +SJT 105 degrees C
		Length	1.8 m \pm 30mm
		Color	Black
	Adapter	Type	M120300P911(12V 3A)
		Color	Black