



Specification

10.1 " Touch Monitor



Model	DTL101
P/N	
Version	A1

Record Of Revisions

Model:DTL101

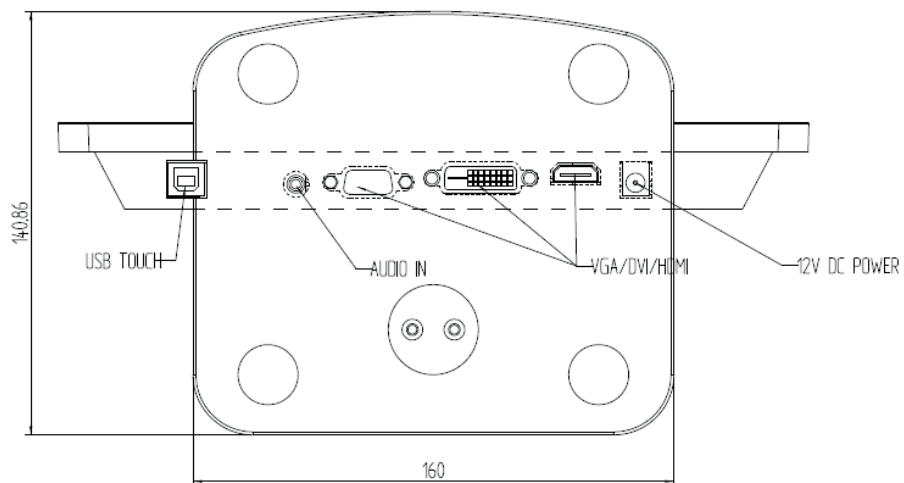
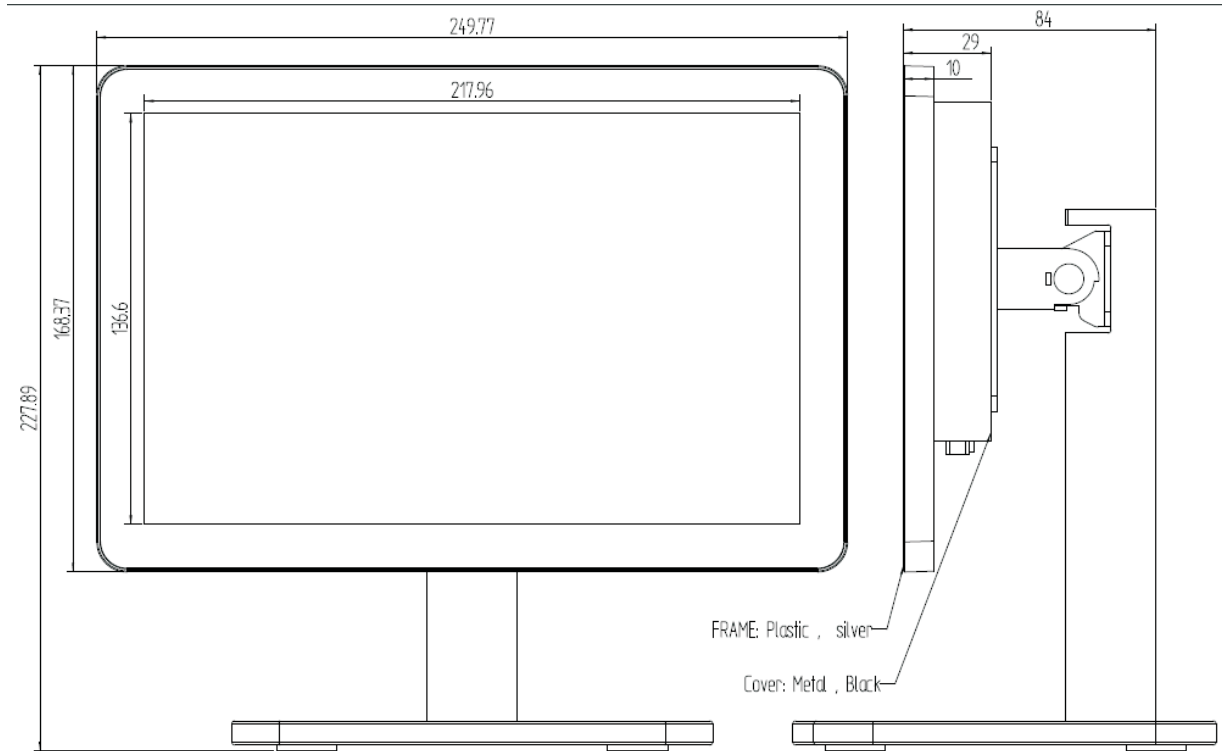
Version and Date	Page	Old Description	New Description	Remark
A0 2016/02/25	ALL	First Edition For Customer		
A1 2017/09/06	-3-		Update the drawing	

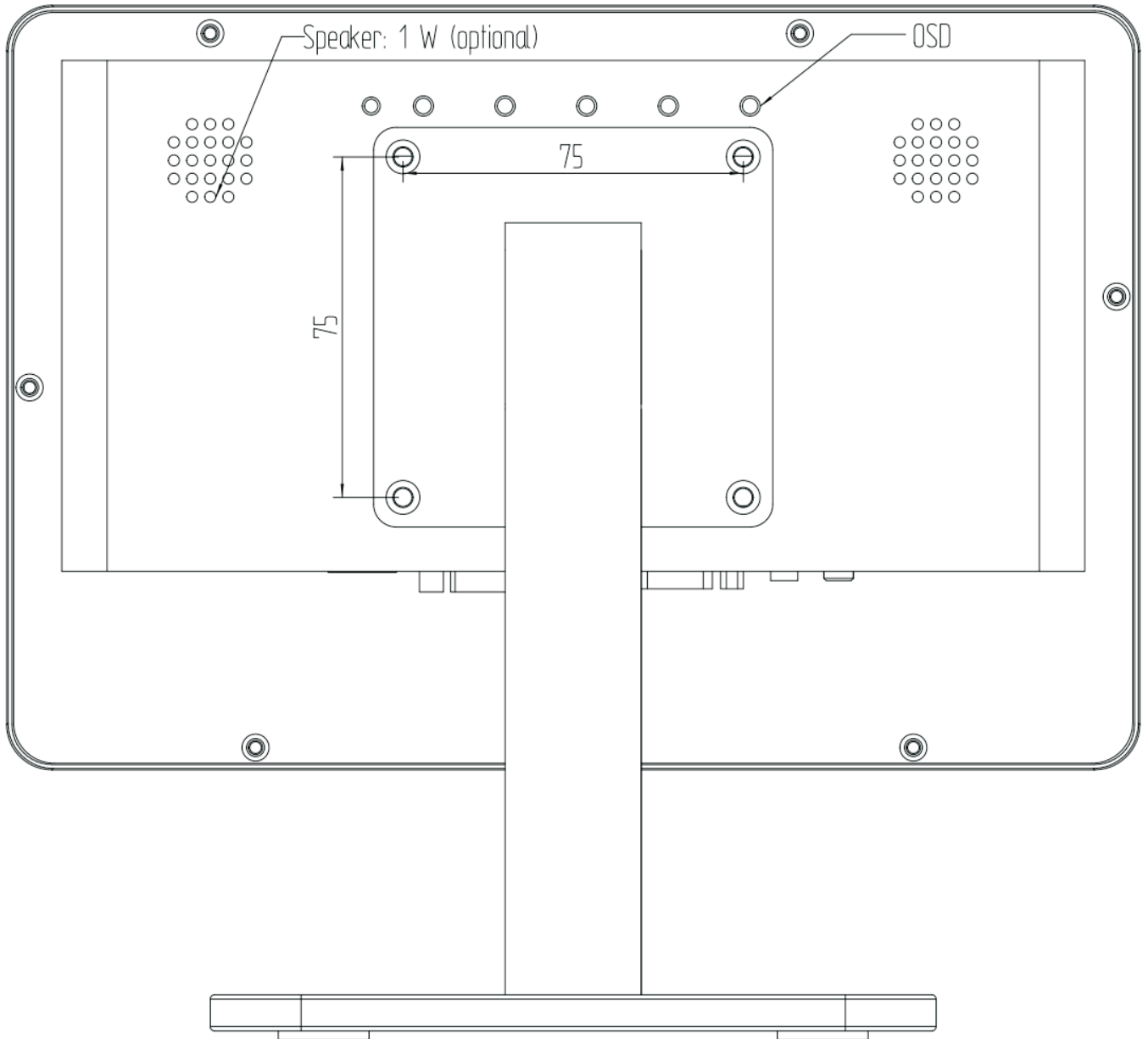


TSD desktop touch display are the most economic touch solutions which designed and developed for OEM and system integration, and widely used in retail, self-service, gaming and entertainment applications.

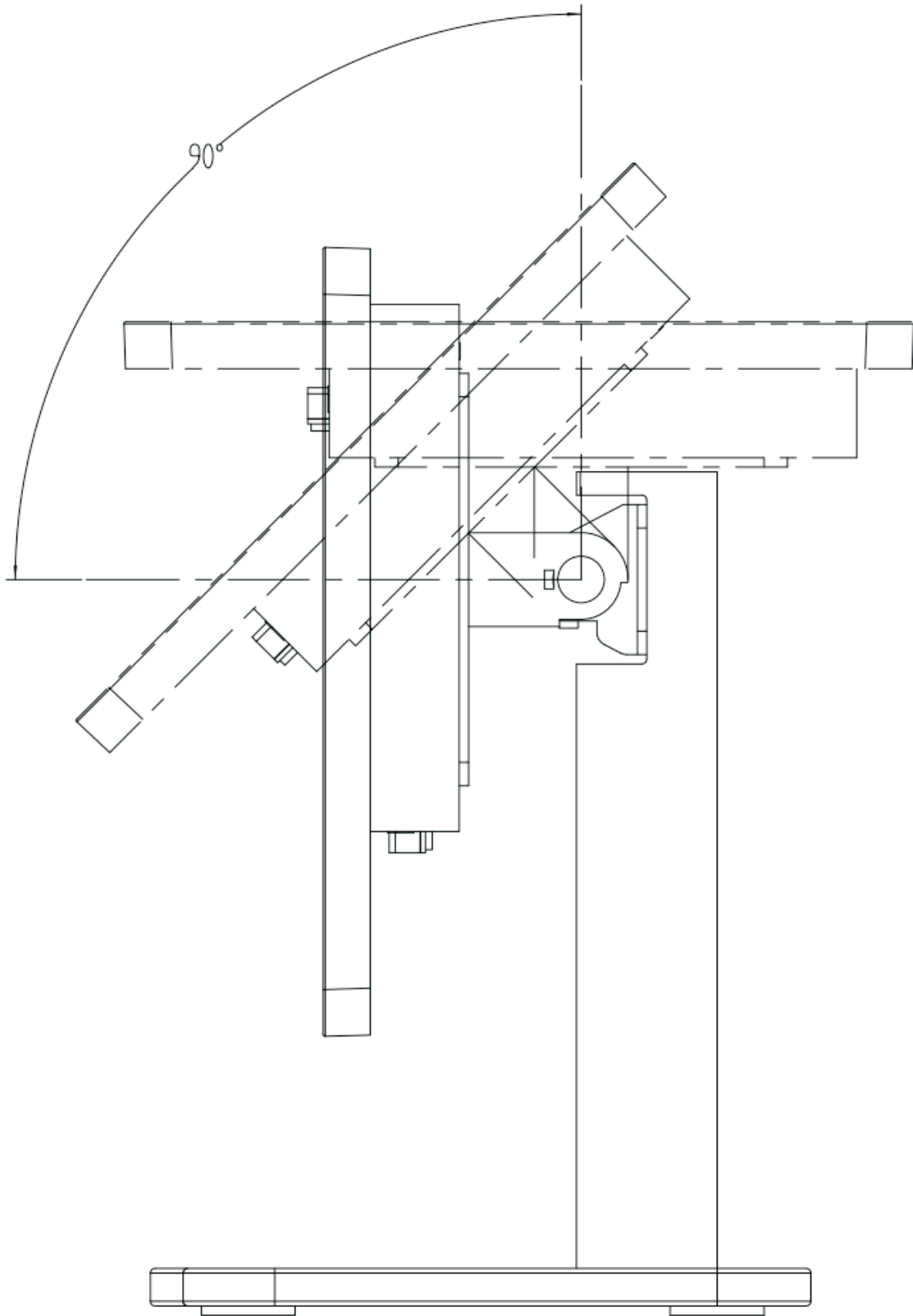
Product Drawing

Profile & Side view





Rotation angle



Technical parameters

Item	Specifications							
Model	DTL101							
Display size	10.1" 16:10							
Active area	216.96 (W) x 135.6 (H) mm							
Pixel pitch	0.1695(mm) x 0.1695 (mm)							
Native resolution	1280*800@60Hz							
Colors	262K(6 bits)							
Brightness(typical)	LED panel: 350 (cd/m ²)							
	Display: 301 (cd/m ²)(With PCAP Touchscreen)							
Contrast ratio(typical)	800:1							
Response time(typical)	25 ms							
Viewing angle(typical)	R/L:85/85° U/D:85/85°							
Input interface	VGA、DVI、HDMI							
Resolution supported	No	Format	(KHz)	Polarity	(Hz)	Polarity	(MHz)	Remark
	1	800 x 600	37.88	+	60.32	+	40.000	VESA
	2	1024 x 768	48.36	-	60.00	-	65.000	VESA
	3	1280 x 800	49.30	+	60.00	-	71.000	VESA
OSD	Contrast, Brightness, Horizontal vertical image size and position, Color temperature, The language selection, RESET, Exit OSD.							
Privacy filter (optional)	30°(L/R)							
Item	Touch Specifications							
Touch screen	10.1 " PCAP							
Touch point	10 points							
Touch accuracy	2mm							
Minimum touch body	Ø7mm							
Touch activation force	10g							
Touch response time	10ms (typ)							
IC	ILITeK							
Material	1mm strengthen glass							
Surface durability	Mohs' 7H							
Light transmission	86%							
Touch resolution	4096*4096							
Input method	Finger、Touch pen							
Expected life performance	35,000,000 times							

Technical parameters

Item	Other Specifications		
Power supply	DC: +12V ±5% (Adapter input:AC 100V-240V)		
Power consumption	Max: 10W		
	Standby: < 0.5 W		
IP(touch screen with frame)	IP 5X		
MTBF	50,000h		
Dimensions	Product: 249.77mm*147.27mm*239.89mm		
	Package: 383.00mm*250.00mm*350.00mm		
Weight	Product: 3.2kg		
	Package: 4.2kg		
Temperature	Operating: 0° C ~ 40° C		
	Storage: -20° C ~ 60° C		
Humidity	Operating: 20%~80%		
	Storage: 10%~90%		
Accessories	Signal Cables	Connector	D-SUB 15Pin
		Length	1.8 m ± 30mm
		Color	Blue
	Power Cord	Type	Comply with local safety regulations
		Length	1.8 m ± 30mm
		Color	Black
	Adapter	Type	M120300P911(12V 3A)
		Color	Black

Note: Panel and specifications subject to change without notice.