



# Specification

## 21.5 " IDS All-In-One Touch Computer



Model	AIO215
P/N	
Version	A0

# Record Of Revisions

Model:AIO215

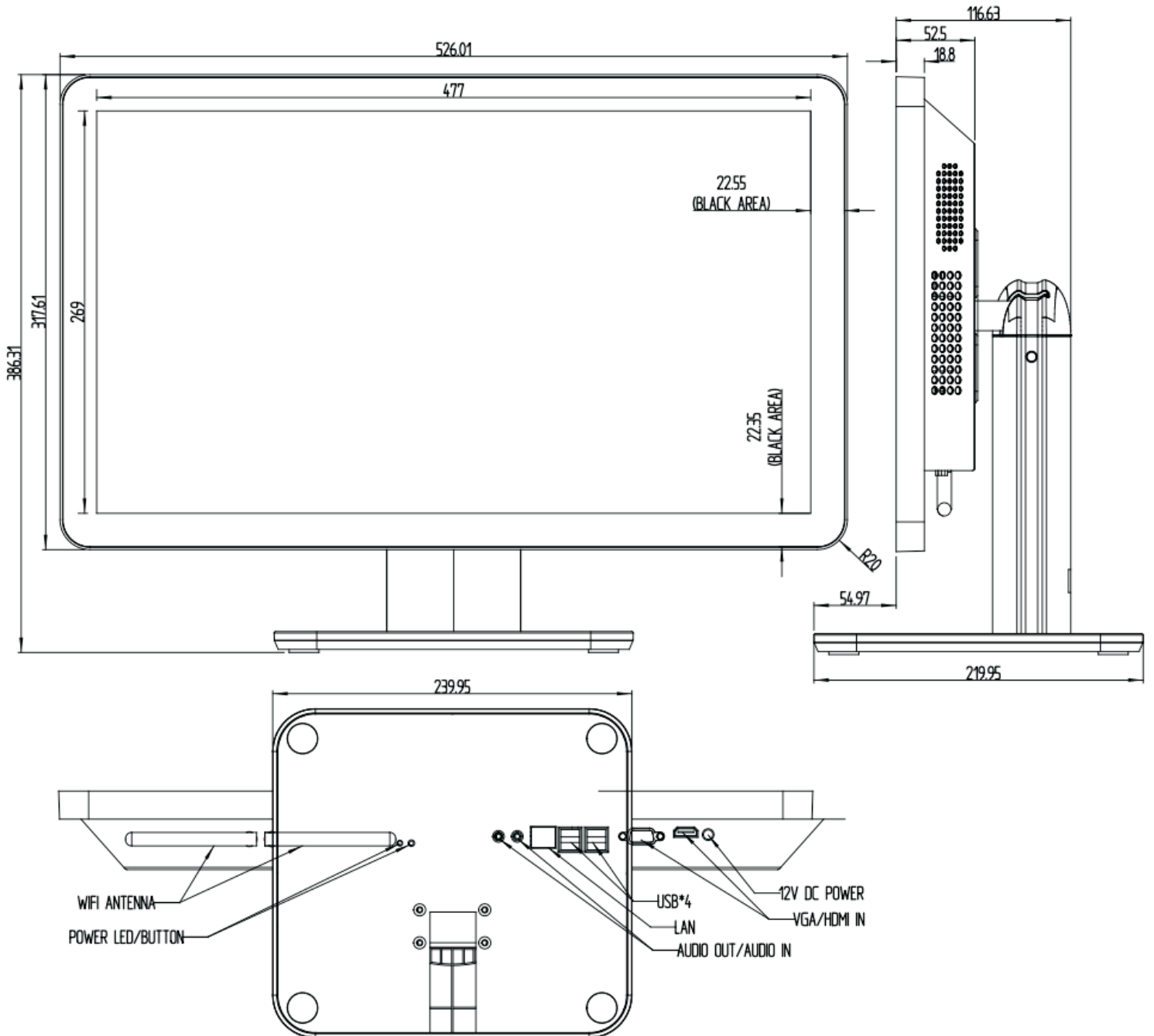
Version and Date	Page	Old Description	New Description	Remark
A0 2015/10/26	ALL	First Edition For Customer		



TSD IDS All-In-One touch computer is for OEM and system integrators and design and development of the best economic cost-benefit touch solutions, making TSD touch display products in retail, self-service, gaming and entertainment applications more competitive.

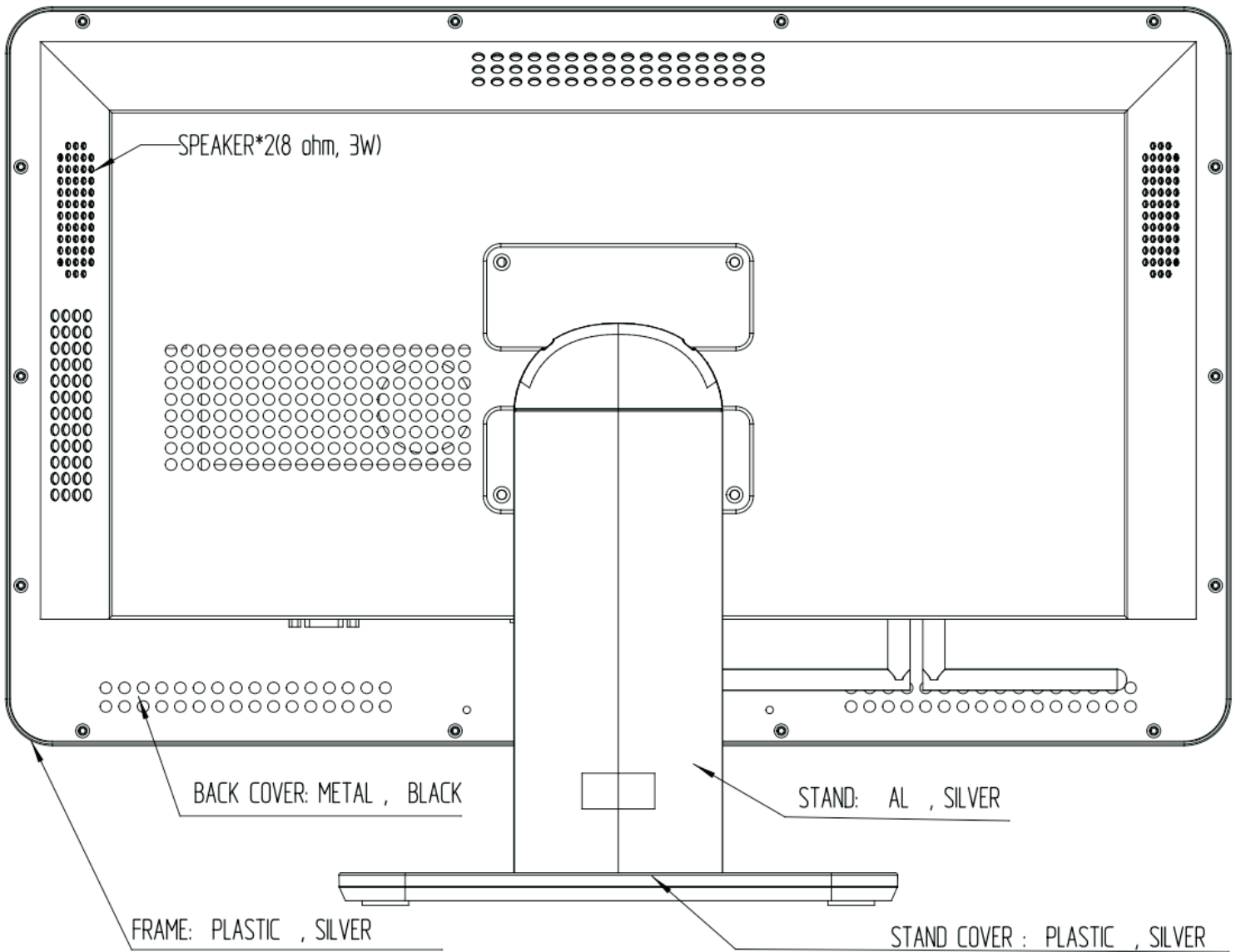
# Product Drawing

Profile & Side view

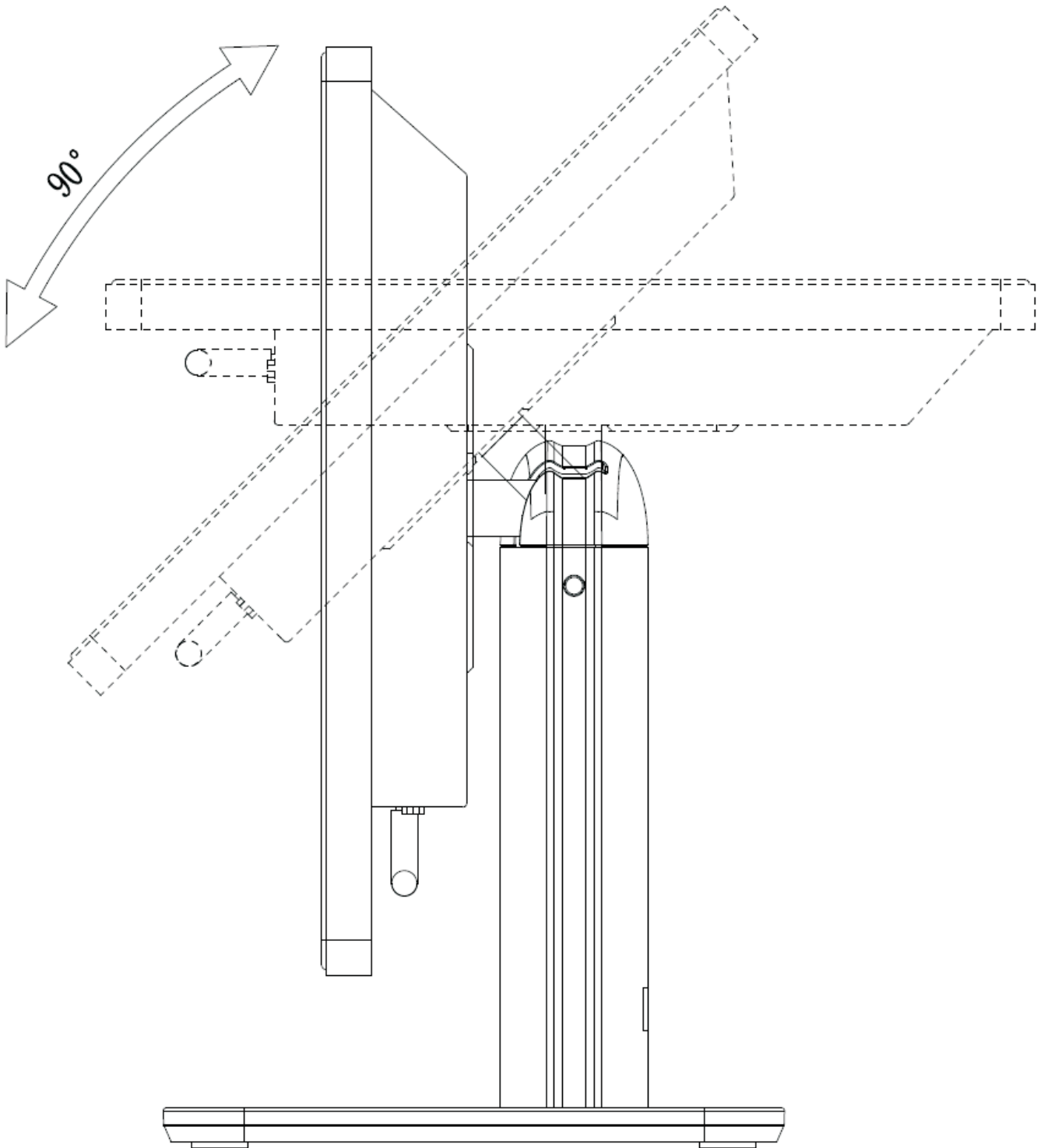


# Product Drawing

Rear view



Rotation angle



# Technical parameters

Item	Specifications							
Model	AIO215							
Display size	21.5" 16:9							
Active area	476.64 (W)mm x 268.11 (H) mm							
Pixel pitch	0.24825(mm) x 0.24825 (mm)							
Native resolution	1920x1080@60Hz							
Colors	16.7M							
Brightness(typical)	LED panel: 250 (cd/m <sup>2</sup> )							
	Display: 215 (cd/m <sup>2</sup> )(With PCAP Touchscreen)							
Contrast ratio(typical)	1000:1							
Response time(typical)	5 ms							
Viewing angle(typical)	R/L:85/85° U/D:80/80°							
Resolution supported	No	Format	(KHz)	Polarity	(Hz)	Polarity	(MHz)	Remark
	1	800 x 600	37.88	+	60.32	+	40.000	VESA
	2	1024 x 768	48.36	-	60.00	-	65.000	VESA
	3	1280 x 1024	64.00	+	60.00	+	108.00	VESA
	4	1920x1080	67.50	+	60.00	+	148.50	VESA
Privacy Filter (optional)	30°(L/R)							
Item	Touch Specifications							
Touch screen	21.5 " PCAP							
Touch point	10 points							
Touch accuracy	2mm							
Minimum touch body	Ø7mm							
Touch activation force	10g							
Touch response time	10ms							
IC	ILITeK							
Material	2mm strengthen glass							
Surface durability	Mohs' 7H							
Light transmission	86%							
Touch resolution	4096*4096							
Input method	Finger、 Touch pen							
Expected life performance	35,000,000 times							

# Technical parameters

Item	Computer Specifications		
CPU	Intel Celeron 1037U	Intel Ivy Bridge Core I3	Intel Ivy Bridge Core I5
Display adapter	Intel integrate HD Graphic	Intel® HDGraphics4000	Intel® HDGraphics4000
Chipset	Intel NM70	Intel HM77	Intel HM77
Memory	2G DDR3		
HDD	500G		
Audio	Integrate Realtek Audio Device		
Ethernet LAN	RJ45/WIFI		
USB port	4*USB		
Speaker	2*3W/8ohm		
Item	Other Specifications		
Power supply	DC: +12V ±5% (Adapter input:AC 100V-240V)		
Power consumption	Max: 52W		
	Standby: < 2 W		
IP(touch screen with frame)	IP 65		
MTBF	50,000h		
Dimensions	Product:526.01mm*219.95mm*386.31mm		
	Package: 640.00mm*260.00mm*468.00mm		
Weight	Product:9.0kg		
	Package:10.0kg		
Temperature	Operating: 0° C ~ 40° C		
	Storage: -20° C ~ 60° C		
Humidity	Operationg: 20%~80%		
	Storage: 10%~90%		
Accessories	Power Cord	Type	Comply with local safety regulations
		Length	1.8 m ± 30mm
		Color	Black
	Adapter	Type	M120500P911(12V 5A)
		Color	Black

Note: Panel and specifications subject to change without notice.