

- Professional makes classics
- Development Production Marketing integration
- SAW & PCAP & IR touch screen
- 3 years warranty



19" IDS All-In-One Computer

TSD IDS All-In-One touch computer is for OEM and system integrators and design and development of the best economic cost-benefit touch solutions, making TSD touch display products in retail, self-service gaming and entertainment applications more competitive.

Established in 2006, TSD technology is a leading touch solution provider in Kunshan, China. Products include PCAP and SAW touch screen, open frame touch monitor, desktop touch monitor and All-in-one

touch computer. We concentrate on designing and manufacturing reliable, durable and cost competitive products.

As an outstanding China touchscreen provider, we have experienced electronic engineers and technical experts of the industry who are determined to lead the touch screen industry into a new era of information technology.

We have been granted ISO9001, CE, FCC, RoHS etc. certifications.

Product Brief

key technology

Waterproof function: Excellent waterproof performance reach IP65 rate. Add waterproof and dust proof strip between capacitive screen's and aluminum frame. This strip is made of EVA and double-sided tape without substrate material.

Highly transparent EVA material has good capability of withstand low temperature and water resistance and no effect on appearance

Double-sided tape without substrate has perfect waterproof performance which can adhere object well and prevent the drop.

Good dimensional stability, can be applied to a wider temperature range and harsh surroundings.

Architectural design: True flat screen frame made of SPCC material. Through high temperature dusting, the black powder even cover the aluminum frame surface. Toughened and frame printed in black capacitive screen who connecting with the black aluminum frame fully. The capacitive screen with pure black edge embedded into the black appearance frame seamless, showing a pure black effect.

Key structure

Support multi touch function

A finger or touch pen

USB touch interface, plug and play

Toughened glass capacitive screen
4:3 display screen

Free optional accessories

Application

Finance

Gaming

Transportation

Advertisement

Trade

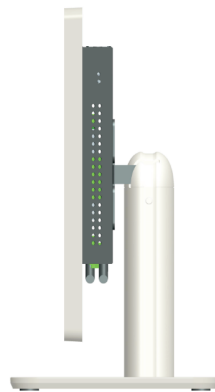
Post and telecommunications

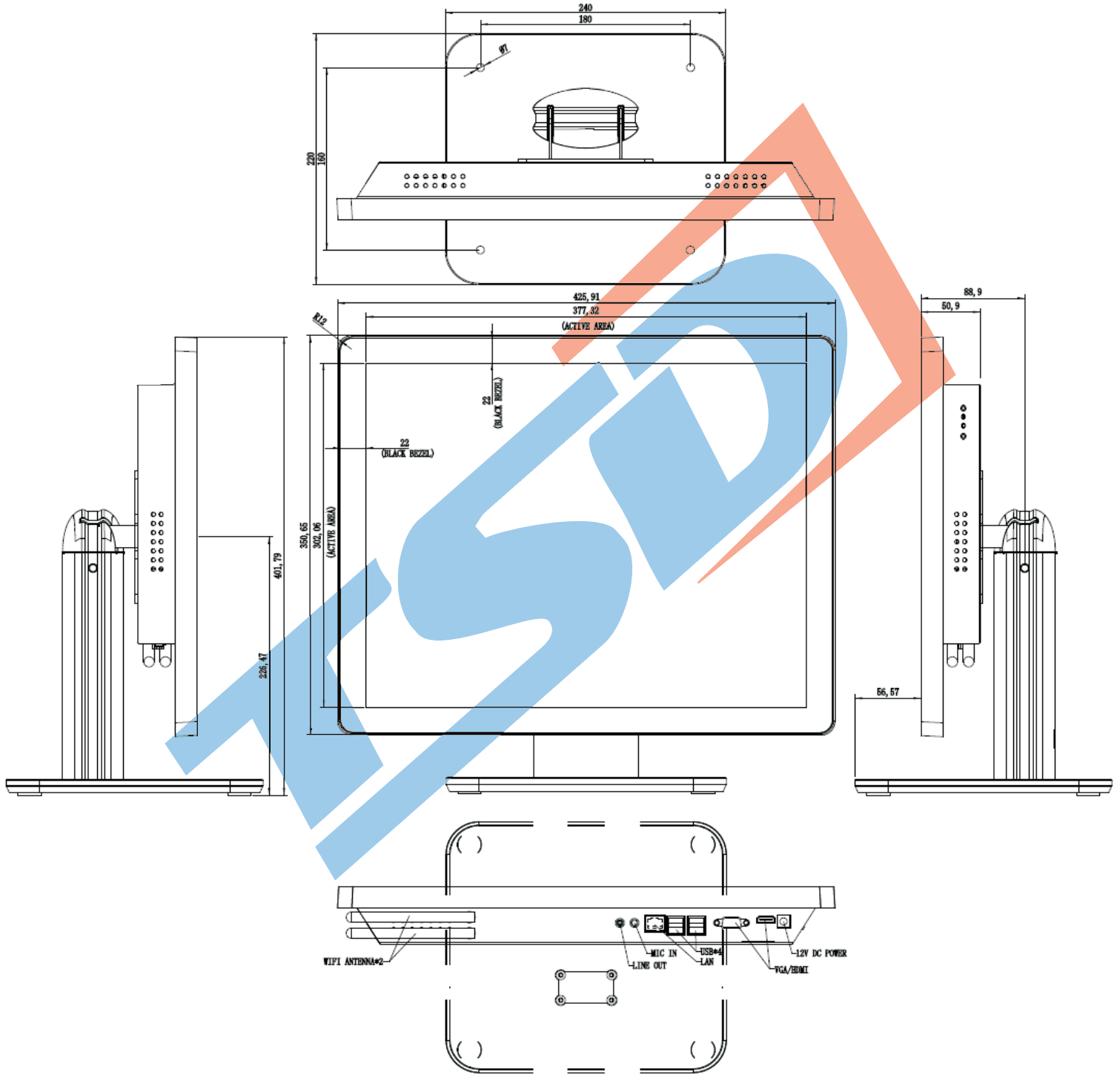
Tax revenue

Insurance

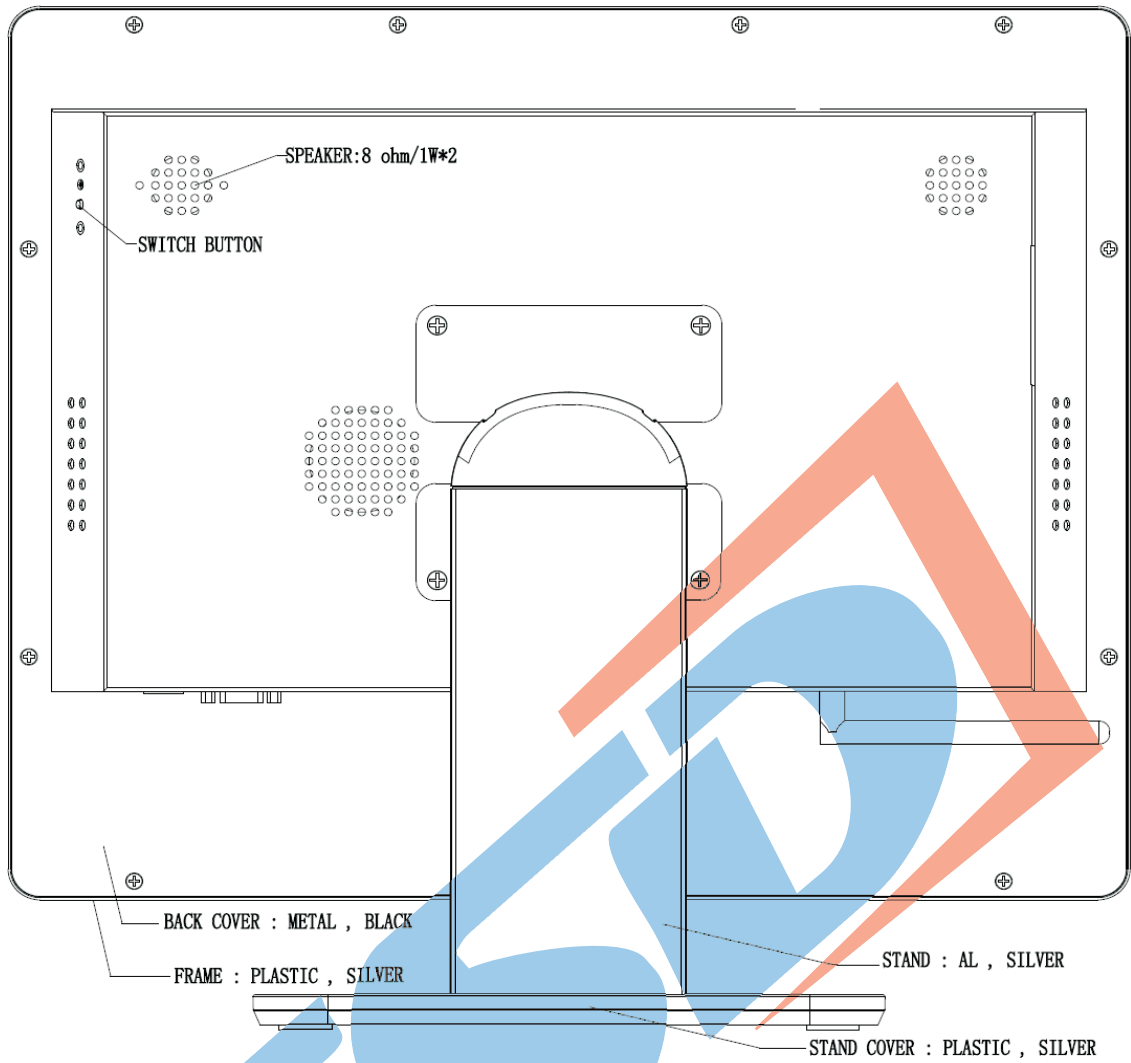
Version:A0

Date:2016.08.29

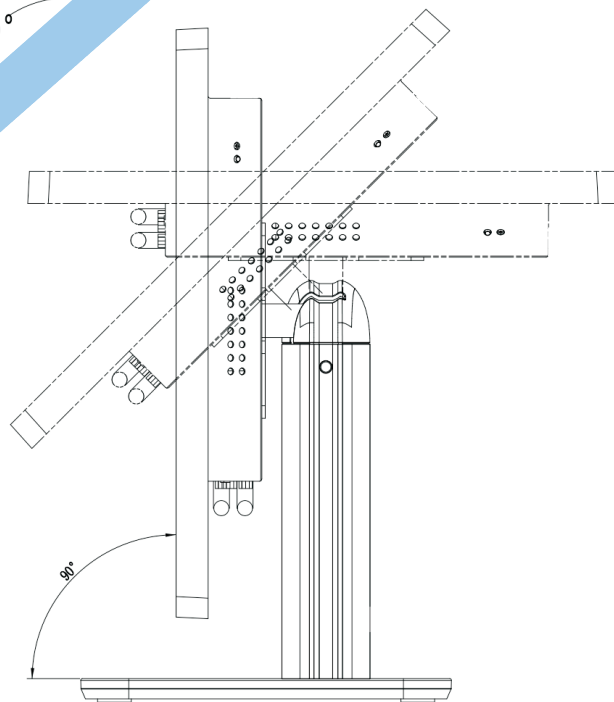




Product Drawing



Adjustive angle: 90°



Technical parameters

Display specification

Model	AIO190
Display size	4 : 3
Active area	374.784 (H)mm x 299.8272 (V) mm
Native resolution	1280x1024@60Hz
Pixel pitch	0.2928(mm) x 0.2928(mm)
Colors	16.7M
Brightness(typical)	LED panel: 250 nits
	Display: 215 nits
Contrast ratio(typical)	1000:1
Response time(typical)	14 ms
Viewing angle(typical)	R/L:89/89° (typ) U/D:89/89° (typ)

Touch Specifications

Touch screen	19 " PCAP
Touch point	10 points
Touch accuracy	2mm
Minimum touch body	Ø7mm
Touch activation force	10g
Touch response time	10ms (typ)
IC	ILIteK
Material	2 mm strengthen glass
Surface durability	Mohs' 7H
Light transmission	86%
Touch resolution	4096*4096
Input method	Finger, Touch pen
Expected life performance	50,000,000 times

PC Specifications

CPU	Intel Celeron 1037U	Intel Ivy Bridge Core I3	Intel Ivy Bridge Core I5
Display adapter	Intel integrate HD Graphic	Intel®HDGraphics4000	Intel®HDGraphics4000
Chipset	Intel NM70	Intel HM77	Intel HM77
Memory	2G		
Hard Disk Drive	500G		
Speaker	8ohm 1W (optional)		
USB	USB*4		
Video Support	Integrate Realtek Audio Device		
LAN	RJ45/WIFI		
Operating System	Windows XP,Windows Vista,Windows 7,Windows 8		

Technical parameters

Other Specifications

Power supply	DC: +12VDC \pm 5% (Adapter input:AC 100V-240V)		
IP(touch screen with frame)	IP 65		
MTBF	50,000h		
Dimensions	Product: 401.79mm*425.91mm*220.0mm		
	Package: 480.0mm*530.0mm*280.0mm		
Weight	Product: 7.6kg		
	Package: 8.6kg		
Temperature	Operating: 0° C ~ 40°C		
	Storage: -20° C ~ 60°C		
Humidity	Operating: 20%~80%		
	Storage: 10%~90%		
Accessories(standard)	Signal Cables	Connector	USBA-USBB
		Length	1.8 m \pm 30mm
		Color	Gray white
	Power Cord	Type	M120500P911(12V 5A)
		Color	Black
		Type	D-SUB 15Pin
Accessories(optional)	VGA Cable	Length	1.8 m \pm 30mm
		Color	Black
		Connector	Double header 24+1
	DVI Cable	Length	1.8 m \pm 30mm
		Color	Black
		Type	HDMI1.3 Type A-Type A
	HDMI Cable	Length	1.8 m \pm 30mm
		Color	Black
		Type	1-1,A-A 1.5m
	Audio Cable	Length	3.5 m \pm 30mm
		Color	Black

Note: Panel and specifications subject to change without notice.