



Specification

18.5" IDS All-In-One Touch Computer



Model	AIO185
Configuration	
Version	A2

Record Of Revisions

Model:AIO185

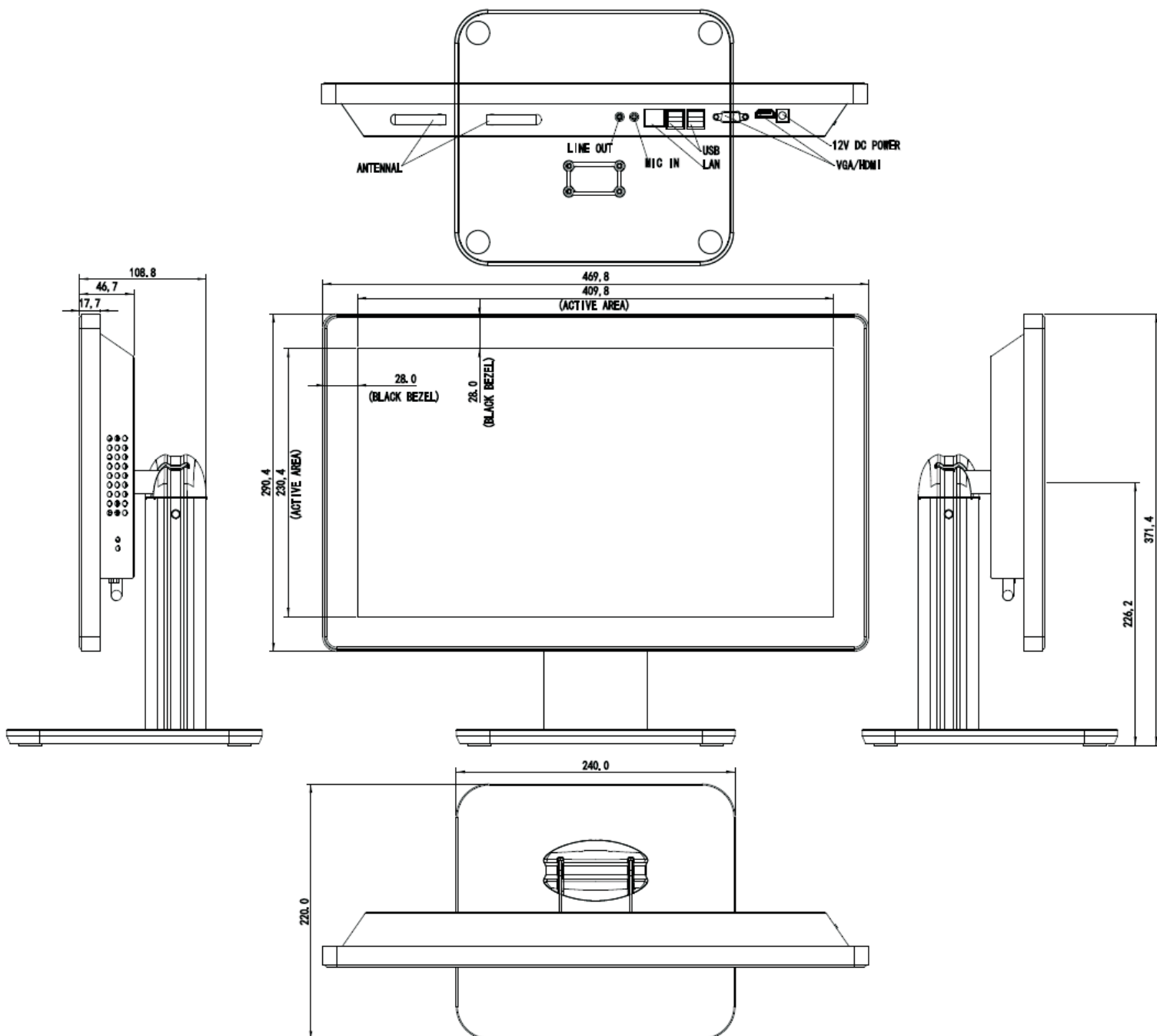
Version and Date	Page	Old Description	New Description	Remark
A0 2014/09/09	ALL	First Edition For Customer		
A1 2014/11/14	-6-	Native Resolution :1920x1080	Native Resolution :1366x768	Revised
A2 2015/06/10	-7-		Update The PC Specifications	320G->500G



TSD IDS All-In-One touch computer is for OEM and system integrators and design and development of the best economic cost-benefit touch solutions, making TSD touch display products in retail, self-service, gaming and entertainment applications more competitive.

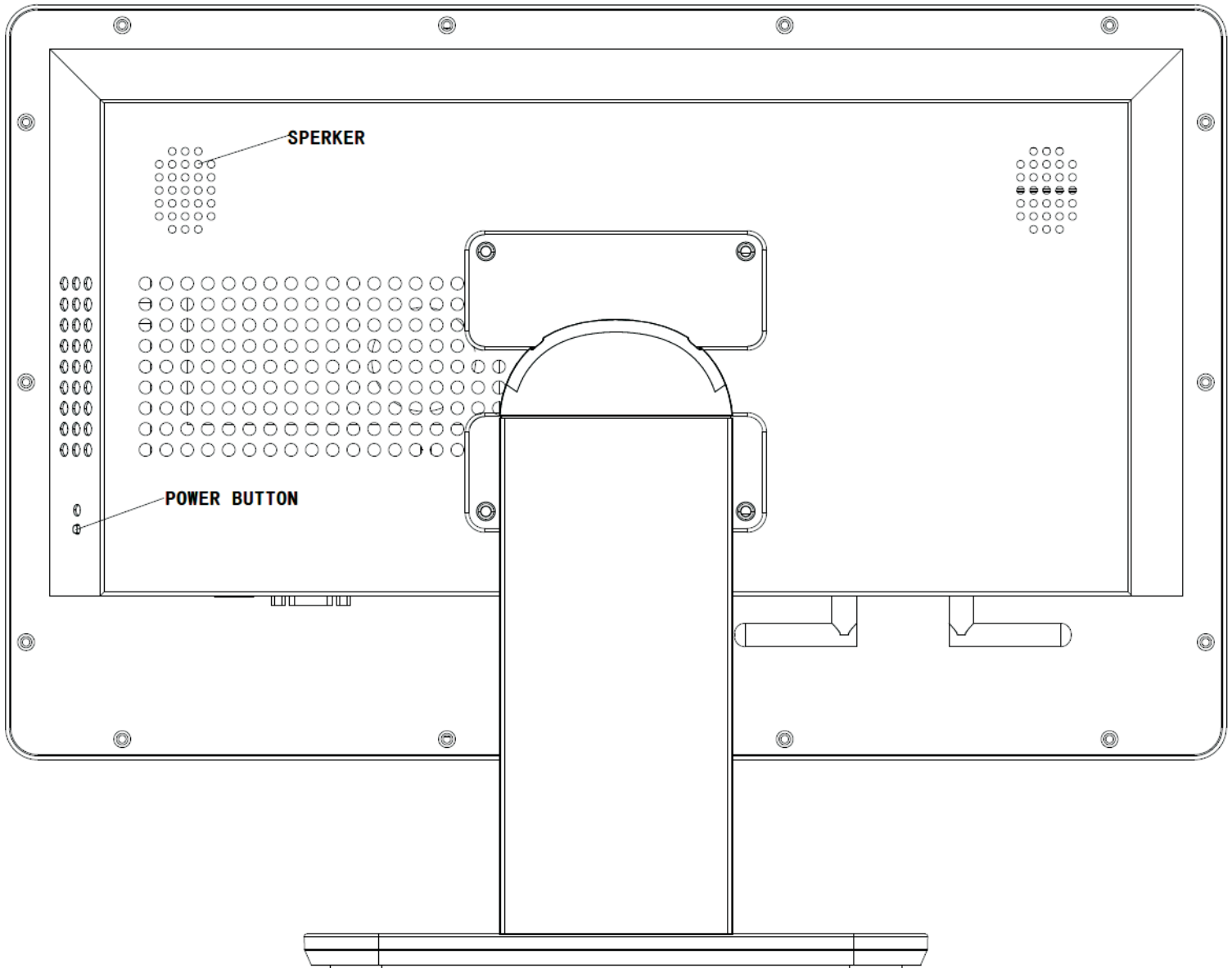
Product Drawing

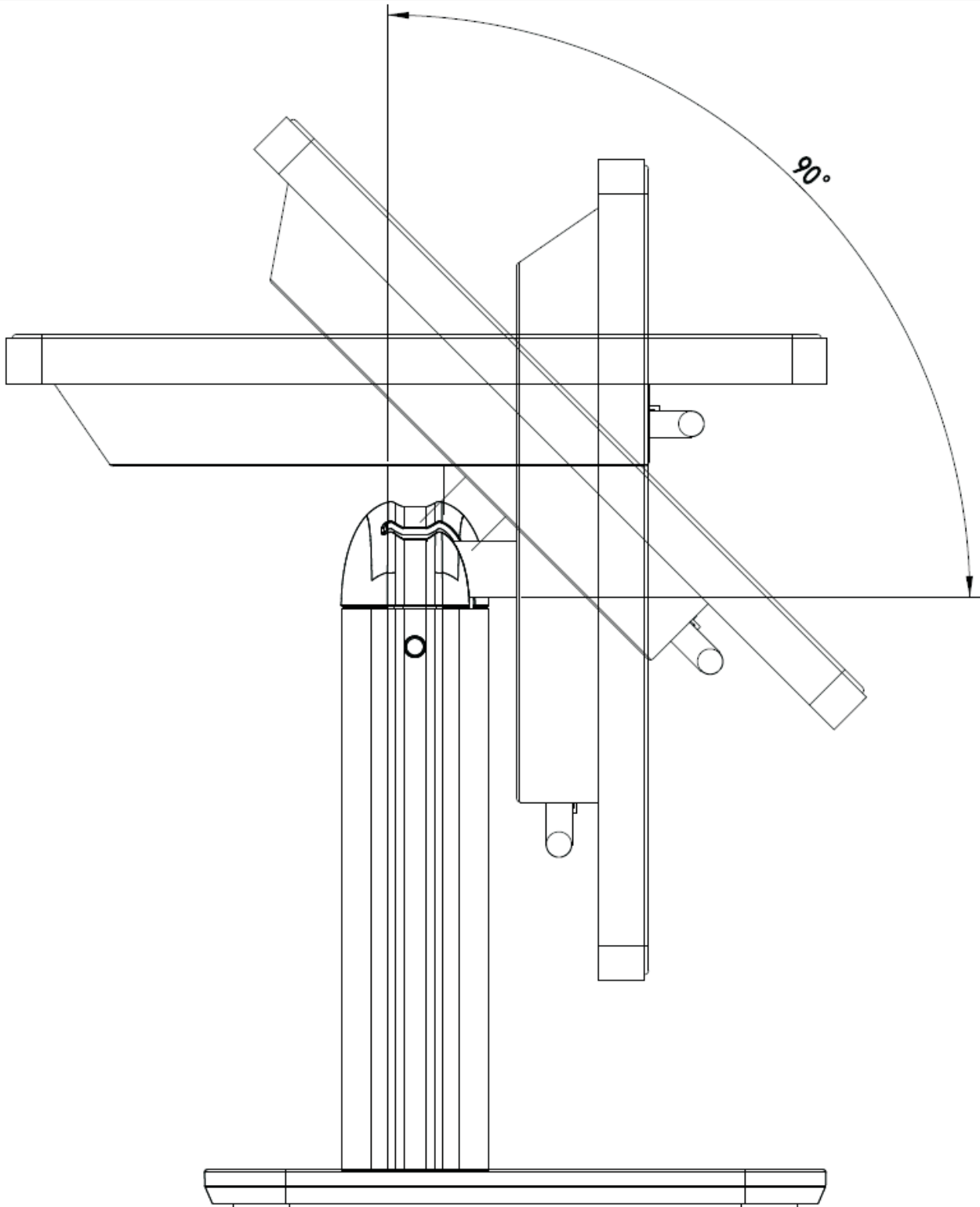
Model:AIO185
Profile & Side view



Product Drawing

Model:AIO185
Rear View





Technical parameters

Model:AIO185

Item	Display Specification
Model	AIO185
Display Size	18.5 "
Panel	M185XTN01.2
Contrast Ratio	1000:1
Backlighting	LCD(LED backlight)
Technology Type	HD
Display & Aspect Ratio	16:9
Native (optimal) Resolution	1366x768@60Hz
Pixel Pitch	0.24825(mm) x 0.24825 (mm)
HSF	57 KHz ~ 70 KHz
VSF	57 KHz ~ 63 KHz
Band Width	148.5MHz
Brightness	LED panel: 250 nits Display: 230 nits (with SAW Touchscreen)
Response Time	5ms
Viewing Angle(CR≥10)	R/L:85/85°(typ),U/D: 80/80°(typ)
Colors	16.7M(8 bits)
Item	Touch screen specification
Touch Screen	Bezel-Free SAW Touchscreen
Touch Screen Model	SL185H3NEM-ITL
Coefficient of Friction	0.03
Hydrophobic Angle	110°
Material	3mm Float Glass
Touch Activation Force	80g
Surface Durability	Mohs' 7H
IP	IP5X
Input Method	A finger or touch pen
Touch Response Time	≤16ms
Light Transmission	92% (Glass thickness: 3mm)
Minimum Touch Body	Ø2.5mm
Touch Point	Single、Dual
Expected Life Performance	More than 50 million touches
Touch Resolution	4096(H) x 4096(D)

Technical parameters

Model:AIO185

Item	PC Specifications		
CPU	Intel Celeron 1037U	Intel Ivy Bridge Core I3	Intel Ivy Bridge Core I5
Display Adapter	Intel integrate HD Graphic	Intel® HDGraphics4000	Intel® HDGraphics4000
Chipset	Intel NM70	Intel HM77	Intel HM77
Memory	2G DDR3		
Hard Disk Drive	500G		
Audio	Integrate Realtek Audio Device		
Ethernet LAN	RJ45/WIFI		
Mouse/keyboard Interface	USB		
Operating System	Windows XP, Windows Vista, Windows 7, Windows 8		
Item	Machine Specifications		
Input Power	DC:DC12V+/-5% 5A		
Power Consumption	ON Mode<45W		
	Standby<4W		
Maximum Power	52W		
Dimensions	537.4mm(W)*328.9mm(D)*54mm(H)		
Weight	8Kg		
Accessories	Signal Cables	Type	Comply with local safety regulations
		Length	1.8 m ± 20mm
		Color	Black
	Adapter	Type	12V 5A
		Color	Black
Environment	Operating	Temperature	0° C ~ 40° C
		Humidity	20%~80%
	Storage	Temperature	-20° C ~ 60° C
		Humidity	10%~90%
	Transportation	Temperature	-20° C ~ 60° C
		Humidity	10%~70%